

# Installation instructions

2020-12-17

Kebony Norge AS

Tel +47 06125

[www.kebony.com](http://www.kebony.com)

[info@kebony.com](mailto:info@kebony.com)



## Kebony cladding

### General information

The base construction must be completed in accordance to good building practice, applicable standards and regulations. Cladding must be installed battened, aired and drained with an opening both top and bottom so air is circulated and wet cladding can dry out fast.

For information about cleaning and maintenance, refer to Kebonys' Use & Maintenance documentation.

### Mounting

**Rust-proof (A2) or acid-proof (A4)** mounting fixtures must be used. In coastal areas acid-proof (A4) fasteners are always recommended. Mounting fixtures with another type of corrosion protection can result in black stains round the mounting holes.

Kebony cladding can be installed with screws or nails. When using a nail gun, be sure to use rubber footings. To prevent the ends of the boards from cracking, always pre-drill holes in the end of the board prior to mounting.

Always use self-drilling screws when screwing **Kebony Character**. The ends of the boards must always be pre-drilled. Screws are to be placed with a minimum distance of 15 mm from the side edges.

When using screws with **Kebony Clear**, always pre-drill (not only the ends of the boards). Screws are to be placed with a minimum distance of 25 mm from the side edges.

Do not let the screws go too deep into the wood. Let the top of the screw be flush with the surface.

### Metal fixtures

Kebony can be used with aluminium fixtures and enamelled or foiled fixtures without discolouration.

However, in some cases surface water runoff from Kebony wood can result in discolouration of adjoining materials, for example black stains on zinc plated fixtures/fittings, or copper fixtures where exposed parts of the fixtures remain polished.

Drainage from galvanized or iron-based fixtures onto Kebony wood can result in black discolouration on the wood.

# Installation instructions

2020-12-17

Kebony Norge AS

Tel +47 06125

www.kebony.com  
info@kebony.com



## Treatment of cut ends and surface treatment

Kebony does not require any surface treatment. If desired, UV-protective wood oil or stain can be used to maintain some of the original brown colour. Kebony can also be painted or stained if you want to change the colour. Remember that treated surfaces require regular maintenance.

Cut surfaces on **Kebony Character** (Scots Pine) products must be treated with Kebony end-grain sealing wax, or equivalent. Follow the manufacturer's instructions.

Cut surfaces on Kebony Clear products do not require treatment with an anti-parasite/fungal agent.

**Tip:** To minimize the moisture variation on the end-grain and to reduce the possibility for end-cracking, a moisture-resistant end-grain sealant can be used.

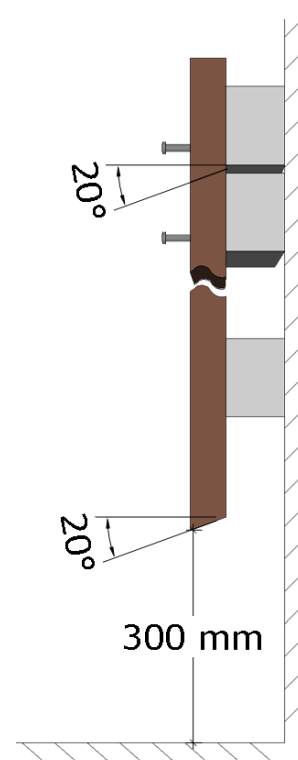
## Joints and endings

Joining cladding boards should be avoided as much as possible.

Boards that are to be joined should always have the grains oriented in the same direction.

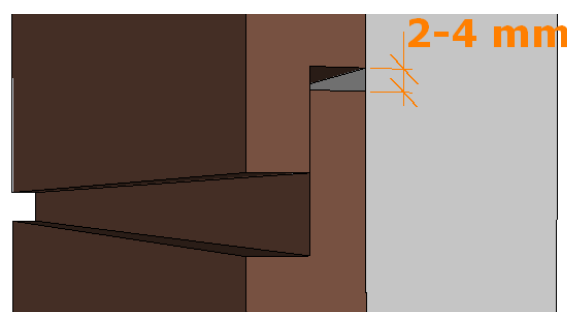
When joining cladding without end matching, both ends should be supported by a stud/lath. On vertical standing cladding, the ends must be cut on a minimum 20-degree angle to prevent water entry.

The distance from the end of the cladding board to the ground must be a minimum of 300 mm. To ensure proper drainage, all endings should be cut on an angle with a drip edge of a minimum of 20 degrees.



## Grooved opening

Kebony is dried during production. Therefore, there may be some swelling when it is installed outdoors. Slat and shiplap cladding should be installed with a 2-4 mm gap.



# Installation instructions

2020-12-17

Kebony Norge AS

Tel +47 06125

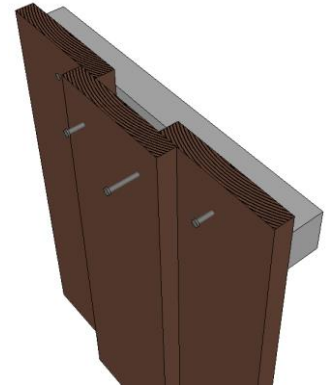
www.kebony.com

info@kebony.com

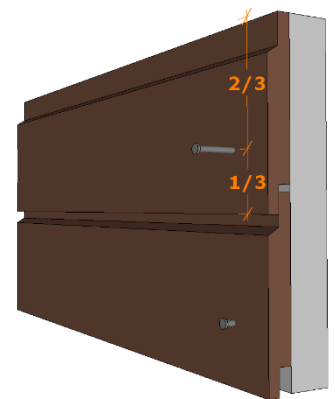


## Mounting

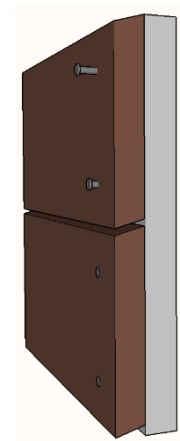
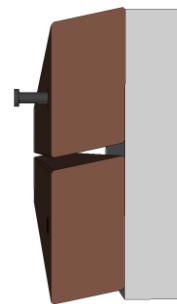
For rectangular cladding, a joist is installed with a screw/nail in each stud, while the lintel is mounted with two screws/nails. Screws/nails must never go through two overlapping boards.



Shiplap cladding should be installed with one screw/nail for each stud. Secure the screw/nail approx. 1/3 in from the edge of the board, so that the pressure on the overlapping boards is as great as possible.



Slat and barn cladding with a width of up to 73 mm should be mounted using one screw/nail in each stud. For larger boards, use two screws/nails in each stud.



"Melsomslat" should be installed with one screw/nail for each stud. The screws/nails should be angled approximately 45 degrees.

